

SA 05 - SA 09 ELECTRIC ACTUATOR

FEATURES

The SA 05 / SA 09 electric actuator are intended for motorising industrial 1/4 turn valves. The torques are 50 Nm and 90 Nm. With a compact, robust construction and IP67 epoxy-coated aluminium housing, the SA actuator is especially well suited for motorising ball valves and butterfly valves installed in workshops or outdoors. The SA has a manual key control and a 3D visual position indicator. Compliant with the EN 15714-2 standard.

AVAILABLE MODELS

Supply voltages: 230 Vac (50-60Hz), 24 Vac/dc and 12 Vdc.

Options: 110 Vac, feedback potentiometer, local command.



LIMITS OF USE

IP rating	IP 67
Ambient temperature	- 20°C / +70°C
Service factor	S2: 15mn - S4: 50% (SA 05)
	S2: 15mn - S4: 30% (SA 09)



Depending on stock, the color may be yellow or blue.

MECHANICAL FEATURES

Gear box	treated steel pinions
Torque	50 Nm / 90 Nm
Angle of rotation	90° +/- 5°
Declutching	Without
Override control	by key (except for SA 05 S)

Actuator	SA 05 / SA 09			SA 05 S	
	Voltage	230V AC	24V AC/DC	12V DC	230V AC
Torque (Nm)	50 / 90			50	
Manoeuvring time (s)	17 / 32	10 / 22	11 / 25	100	100
ISO 5211	F03/F05/F07 star 14				

ELECTRICAL FEATURES

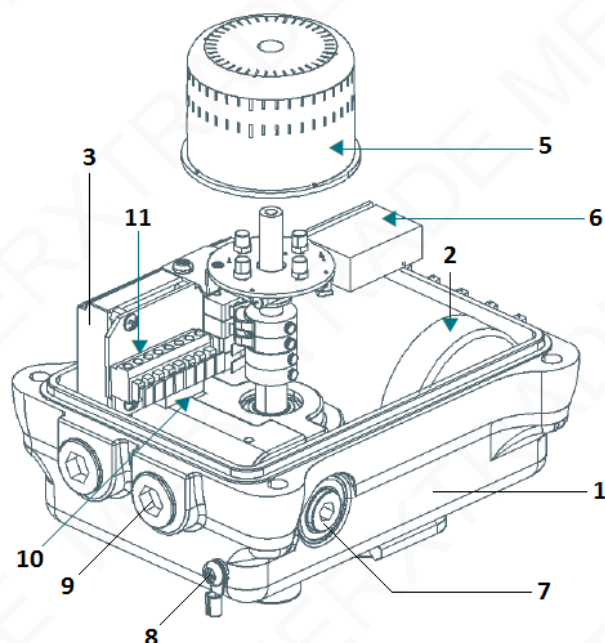
Motor protection	Thermal switch	Anti-condensation	5W heater
Limit switches	2 adjustable switches	Electrical connection	2 x P.E. M20x1.5
Auxiliary switches	2 adjustable dry switches		

Actuator	SA 05 / SA 09			SA 05 S	
	Voltage	230V AC	24V AC/DC	12V DC	230V AC
Power (W)	6 W	15 W	6 W	6 W	6 W
Current (A)	0,23 / 0,25	1,8 / 2,1	3,2 / 3,4	0,23	1,8

SA 05 - SA 09 ELECTRIC ACTUATOR

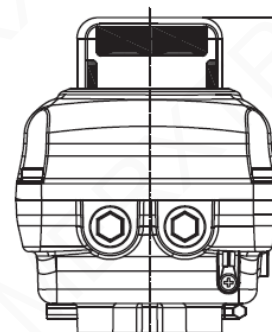
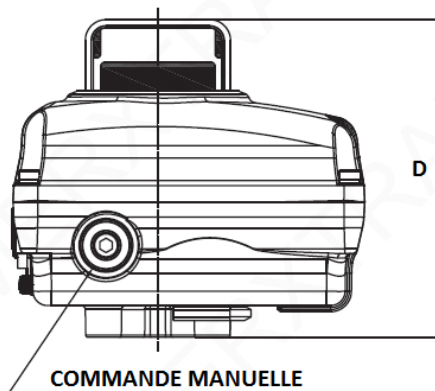
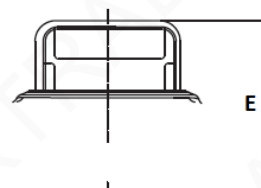
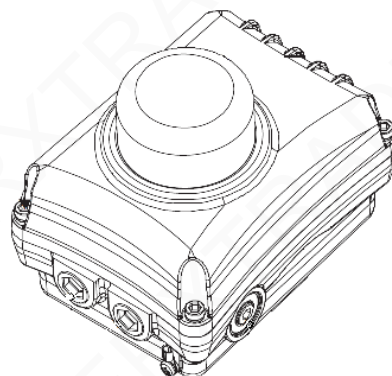
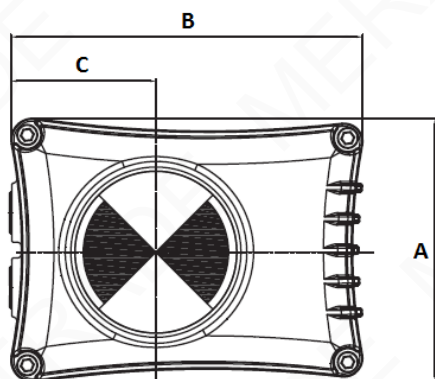
CONSTRUCTION

1	Housing	Polyester-coated aluminium
2	Electrical motor	
3	Gear box	Treated steel pinions
4	Cover	Polyester-coated aluminium
5	Position indicator	Polycarbonate plastic
6	Condenser	
7	Handle override	
8	Earthing	
9	Cable inlet	
10	Anti-condensation heater	
11	Terminal box	



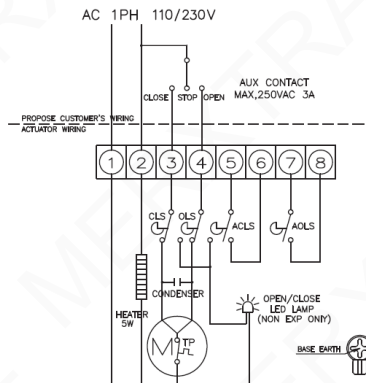
DIMENSIONS (mm) AND WEIGHT (kg)

Dimensions (mm)	A	B	C	D	E	Weight (kg)
SA 05 / SA 09	127	170	70	153	80	3.2

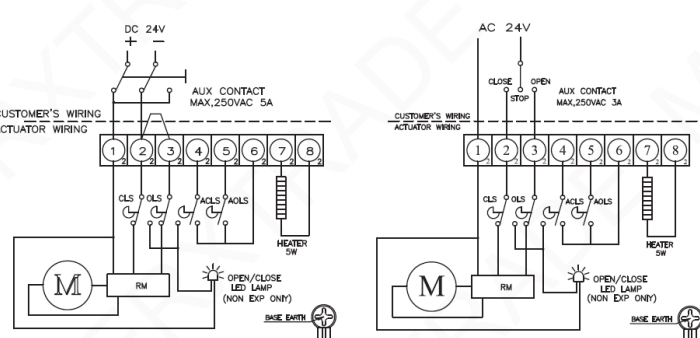


SA 05 - SA 09 ELECTRIC ACTUATOR

WIRING DIAGRAM 230V AC 50Hz/60Hz

1	common	<p> CLS : Close Limit Switch (250VAC 3A) OLS : Open Limit Switch (250VAC 3A) ACLS : Aux Close Limit Switch (250VAC 3A) AOLS : Aux Open Limit Switch (250VAC 3A) TP : Thermal Protector (250VAC 3A) RM : Motor Regulation </p> 
2	anti-condensation heater	
3	closing command	
4	opening command	
5	closing auxiliary	
6	closing auxiliary	
7	opening auxiliary	
8	opening auxiliary	

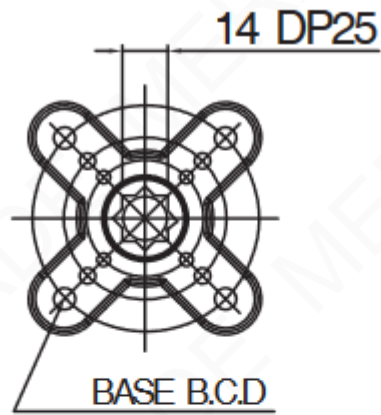
WIRING DIAGRAM 24V AC/DC-12V DC

1	common or +	<p> CLS : Close Limit Switch (250VAC 3A) OLS : Open Limit Switch (250VAC 3A) ACLS : Aux Close Limit Switch (250VAC 3A) AOLS : Aux Open Limit Switch (250VAC 3A) TP : Thermal Protector (250VAC 3A) RM : Motor Regulation </p> 
2	closing command	
3	opening command	
4	closing auxiliary	
5	opening auxiliary	
6	auxiliaries common	
7	anti-condensation heater power supply	
8	anti-condensation heater power supply	

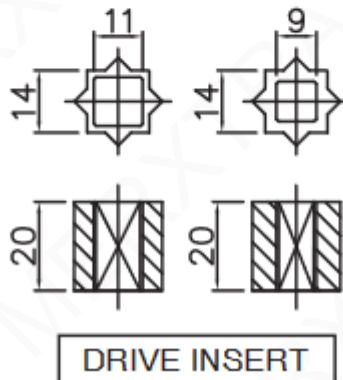
OPTIONS

1	SA 05 / SA 09 X: version for ATEX zone
2	SA 05 / SA 09 PIU: version with feedback potentiometer
3	SA 05 / SA 09 CPT: version with position transmitter 4-20 mA
4	SA 05 / SA 09 PCU: version with adjustment card 0-10, 2-10V, 2-20 mA, 4-20 mA
5	SA 05 / SA 09 LCU: version with local control
6	SA 05 / SA 09 SCP: version with super capacitor safety

SA 05 - SA 09 ELECTRIC ACTUATOR



- A: ISO 5211 F03 (\varnothing 36 M5TAP DP8)
- B: ISO 5211 F05 (\varnothing 50 M6TAP DP10)
- C: ISO 5211 F07 (\varnothing 70 M8TAP DP13)



SA 05 - SA 09 ELECTRIC ACTUATOR

ASSEMBLING AND MAINTENANCE INSTRUCTIONS



SA05 - SA05S - SA09



SA05X - SA09X

1. DESCRIPTION

- 1.1 Electric actuator for motorising 90° turn valves.
- 1.2 The full features of this device are given in sheet FT23010 / FT23310.
- 1.3 Before operating this device, read the present instructions carefully.

2. GUARANTEE

- 2.1 Before any contact with our services, identify the type of actuator.
- 2.2 SECTORIEL actuators have a 12-month guarantee from the delivery date. Parts recognized as defective by an assessment at our facility, will be replaced at our expense. Complaints generated by incorrect use or a modification of the actuator cannot be taken into account.

3. VERIFICATIONS AND ACCEPTANCE

- 3.1 At acceptance, check that:
 - the packaging is in good condition;
 - the actuator is as ordered;
 - the equipment is not damaged.
- 3.2 It is recommended to install the actuator as soon as accepted and not to leave it unused. If the equipment has to be stored, it has to be in a dry place protected from weather.

SA 05 - SA 09 ELECTRIC ACTUATOR

4. PRECAUTIONS FOR OPERATION

- 4.1 Before installing, make sure that the installation is completely depressurized and brought to ambient temperature.
- 4.2 In a zone classified as explosive, install only model SA05X / SA09X.
- 4.3 The protection class of the actuator is IP67 for indoors or outdoors installation. Do not install this actuator in a marine environment and do not immerse it.
- 4.4 The actuator must not be electrically powered during the installation and maintenance of the valve on the pipework, and of the actuator on the valve
- 4.5 Before proceeding to the electrical connection, check the supply voltage of the actuator.
- 4.6 Do not mount the actuator in series or in parallel with other electrical motors. If need be, use relays.
- 4.7 Do not mount the actuator on valves with higher torque than the nominal torque of the actuator.
- 4.8 The anti-condensation heater must be wired, indoors and outdoors, on special applications.

5. INSTALLATION AND OPERATION

- 5.1 Install the actuator on the valve (already done for units assembled in our workshops)
- 5.2 Perform the electrical wiring as shown in the diagram below.
- 5.3 Adjust the switch stops (already done for units assembled in our workshops).
- 5.4 View the valve's movement using the indicator light on the cover.
- 5.5 SA05 / SA09 and SA05X / SA09X actuator: to actuate the handle override, first disconnect the electrical power supply, then turn the hollow hex-head screw with an Allen key.
No handle override for SA05S.
- 5.6 SA05X actuator: the electrical connection must be carried out using an ATEX approved cable gland (CG) CG M20x1.5 which corresponds to the same operation zones as SA05X / SA09X. SA05X has 2 connections M20x1.5. If using only one CG ATEX cable gland, the 2nd connection must be provided with an ATEX-approved plug which corresponds to the same operation zones as SA05X / SA09X. CG and ATEX plug are not provided as standard. Option when ordering.

6. SWITCH SETTING

- 6.1 The cams are attached to the drive stem.
- 6.2 Clockwise rotation = valve closing. The micro-switch stops the actuator.
- 6.3 Anti-clockwise rotation = valve opening. The micro-switch stops the actuator.

